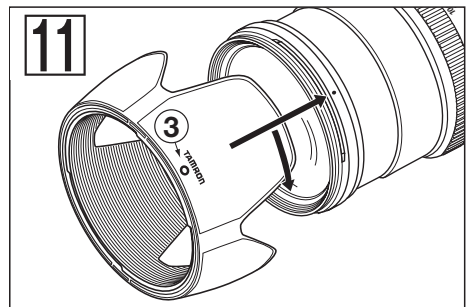
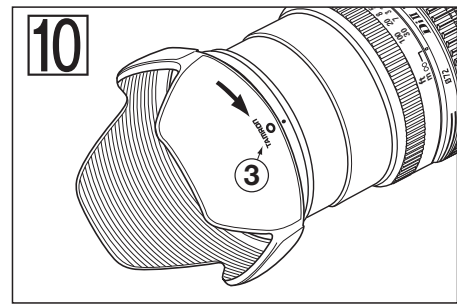
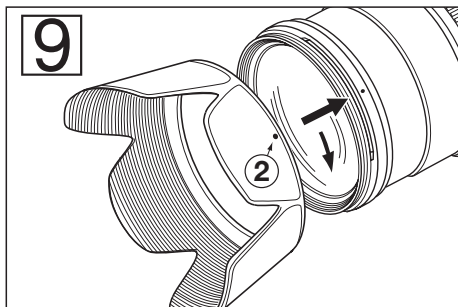
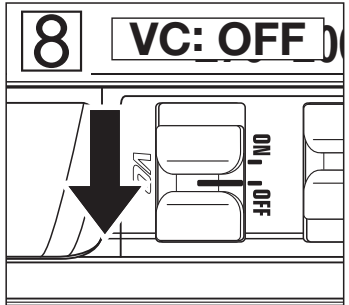
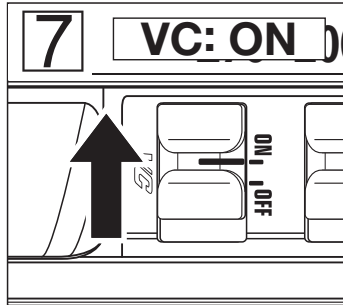
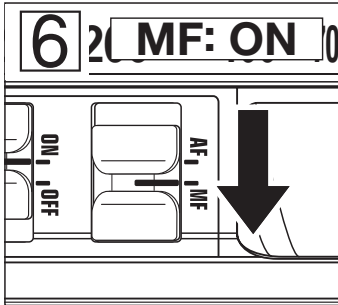
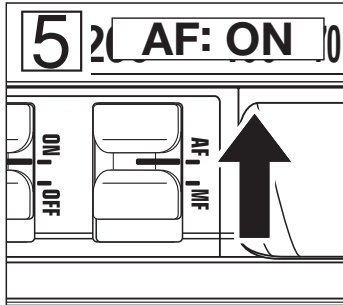
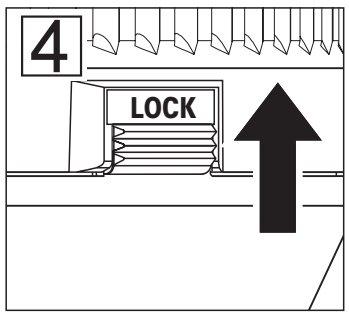
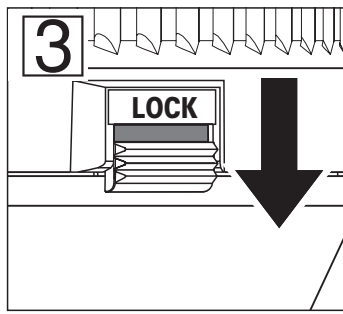
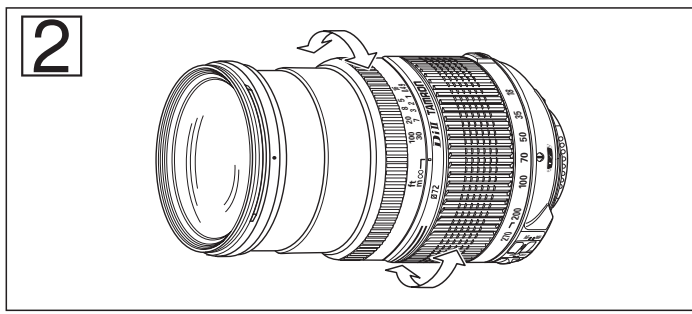
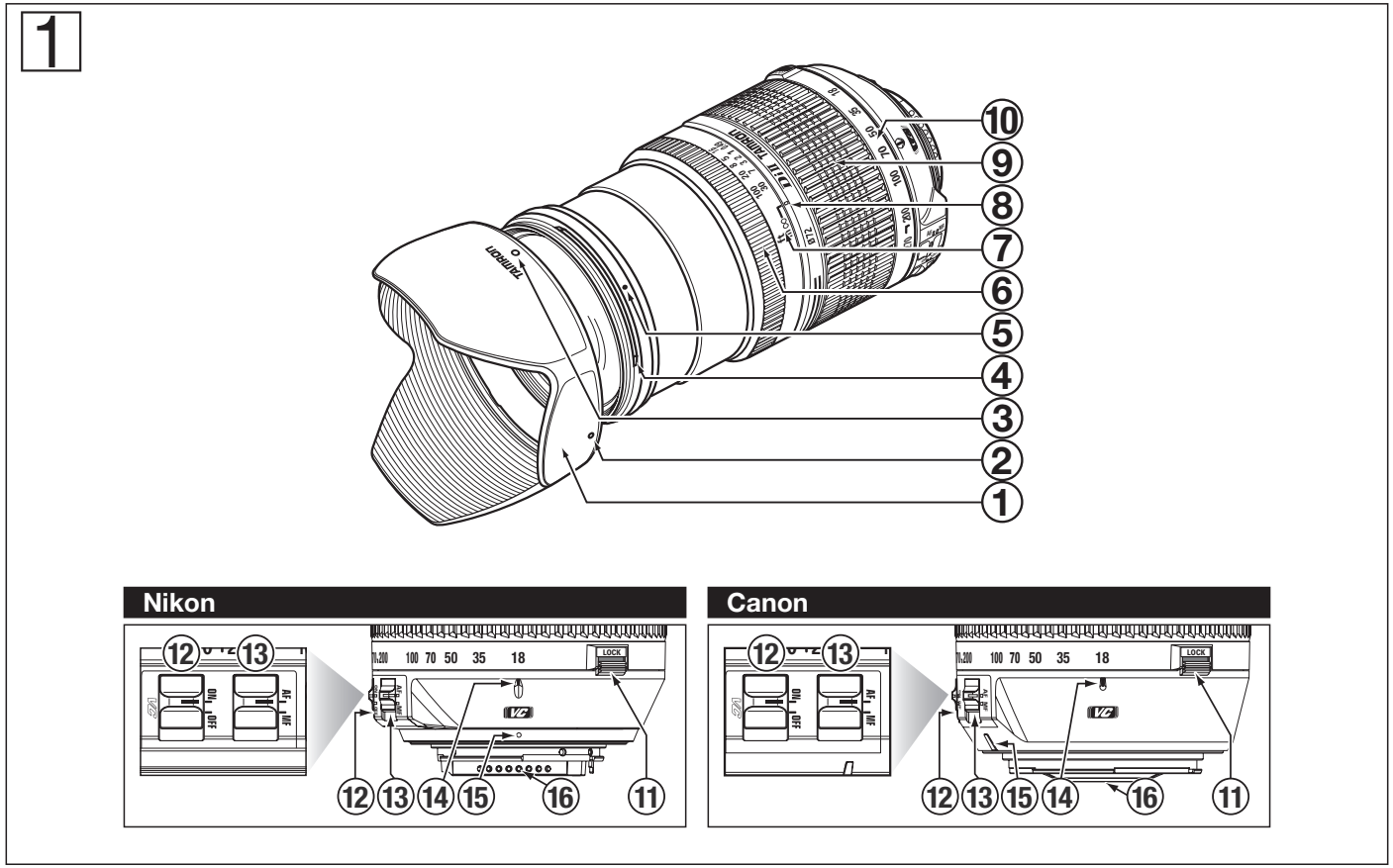


TAMRON

● AF18-270mm F/3.5-6.3 DiII VC LD Aspherical [IF] Macro (Model B003)



CE

- * The CE Marking is a directive conformity mark of the European Community (EC).
- * Das CE-Zeichen entspricht der EC Norm.
- * La marquage CE est un marquage de conformité à la directive CEE (CE).
- * La marca CE es marca de conformidad según directiva de la Comunidad Europea (CE).
- * Il marchio CE attesta la conformità alla direttiva della Comunità Europea (CEE).
- * CE 标志表示符合欧洲共同体 (EC) 指标

The EEC Conformity Report applies to the Council Directive 98/336/EEC, 92/31/EEC, 93/68/EEC and is used by Tamron Co., Ltd., manufacturer of this product.

